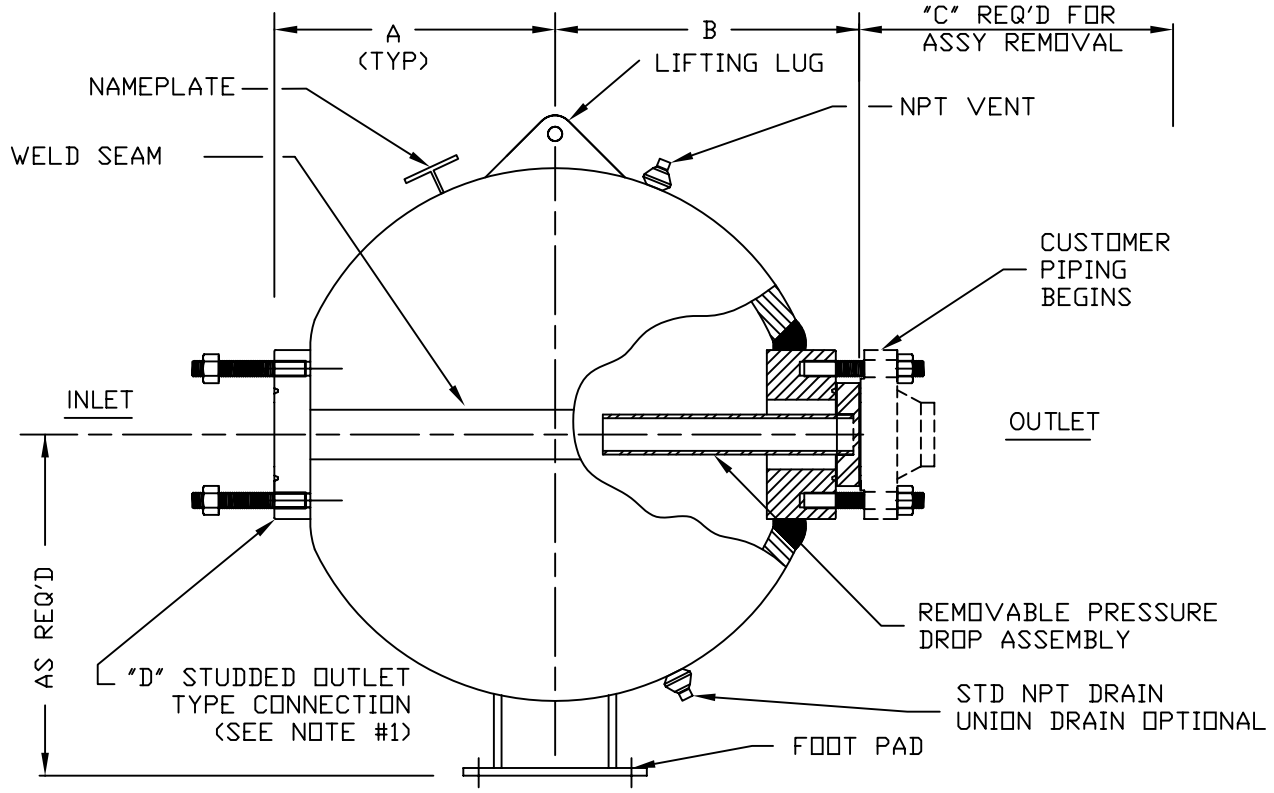


PERFORMANCE PULSATION CONTROL, INC.

VOICE: 972.633.8600 FAX: 972.633.8700 EMAIL: performancepulsation@prodigy.net

MAINTENANCE FREE REACTIVE PULSATION DAMPENER

- PUMP PULSATIONS REDUCED
- PULSATION DAMPENED BY CONTAINED DRILLING MUD
- PRESSURE DROP ASSY. DAMPENS HIGH FREQUENCY PULSATIONS
- FATIGUE LIFE IMPROVED
- MWD SIGNAL DETECTION IMPROVED
- PUMP ROOM HYDRAULIC NOISE REDUCED
- PULSATIONS HELD CONSTANT OVER BROAD PRESSURE RANGE
- NO ELASTOMERS
- NO NITROGEN GAS CHARGE REQUIRED



NOTES:

- 1) CONNECTION LOCATIONS MAY VARY PER CUSTOMER INSTALLATION REQUIREMENTS
- 2) A.S.M.E. CODE STAMP IS STANDARD. ALSO AVAILABLE ARE A.B.S., & D.N.V. CERTIFICATIONS.
- 3) OTHER SIZES & PRESSURE RATINGS AVAILABLE
- 4) 90 DEG. OR OTHER ANGLE ORIENTATIONS ARE AVAILABLE AT STANDARD PRICES. *DIMENSION MAY SLIGHTLY VARY

10/3/00

MODEL	PSI RATING	GALLONS	SPHERE O.D. *	"A" *	"B" *	"C" *	"D" API STUDDED OUTLET TYPE CON.	WEIGHT
DR-80-5000CS	5000	80	38-1/2"	19-1/2"	21-5/8"	22-3/4"	4-1/16" API 5000#	3,300 lbs.
DR-80-7500CS	7500	80	41"	21-3/8"	24"	25-1/4"	4-1/16" API 10000#	5,200 lbs.
DR-100-5000CS	5000	100	42"	21-3/8"	23-1/2"	24-3/4"	4-1/16" API 5000#	4,300 lbs.
DR-100-7500CS	7500	100	44-1/2"	23-1/4"	25-7/8"	27-1/4"	4-1/16" API 10000#	6,500 lbs.
DR-130-5000CS	5000	130	45-1/2"	23-1/4"	25-3/8"	26-1/2"	5-1/8" API 5000#	5,000 lbs.
DR-130-7500CS	7500	130	48-1/4"	25"	27-5/8"	29-1/4"	5-1/8" API 10000#	8,400 lbs.
DR-160-5000CS	5000	160	48-1/2"	25-1/4"	27-3/8"	28-1/2"	5-1/8" API 5000#	6,300 lbs.
DR-160-7500CS	7500	160	51-3/4"	28-1/8"	30-3/4"	31-7/8"	5-1/8" API 10000#	10,100 lbs.
DR-180-5000CS	5000	180	51"	26-5/8"	28-3/4"	29-7/8"	5-1/8" API 5000#	7,400 lbs.
DR-180-7500CS	7500	180	54-1/2"	29-1/2"	32-1/8"	33-1/2"	5-1/8" API 10000#	12,000 lbs.
DR-240-5000CS	5000	240	55-1/2"	29"	31-1/8"	32-1/2"	5-1/8" API 5000#	9,500 lbs.
DR-240-7500CS	7500	240	59-1/2"	32-1/4"	34-7/8"	36-1/4"	5-1/8" API 10000#	15,600 lbs.